



**SUBMITTAL TRANSMITTAL**

**RICHEY FUEL TANK REPLACEMENT**

June 14, 2011

To: M3 ENGINEERING AND TECHNOLOGY  
2051 W. Sunset Road, Suite 101  
Tucson, Arizona 85704

From: Miller O'Hern Construction, LLC  
2200 S. Avenida Los Reyes  
Tucson, Arizona 85748

Subcontractor: CASCADE ELECTRIC  
Manufacturer: VARIOUS  
Supplier: HD ELECTRICAL

Specification Section: 1,602,016,113

Submittal Purpose:  For Approval  
 For Information Only

Submittal Type:  Product Data  
 Shop Drawing  
 Sample

Number of Copies

Remarks:

Signature: David [Signature]

SUBMITTALS MISSING  
- TRANSFER SWITCH  
- CONTRACTORS  
- GENERATOR RECEIPTS  
- ENCLOSURE FOR CONTRACTORS

11 pages



**ELECTRICAL SUBMITTALS  
FOR  
RICHEY BLVD FUEL  
TANK REPLACEMENT**

THESE DRAWINGS ARE SUBMITTED FOR SPECIFIER APPROVAL.  
PRIOR TO CONSTRUCTION OF SPECIAL PRODUCTS AND RELEASE OF MATERIALS,  
PLEASE RETURN ONE COPY TO OUR OFFICE AFTER EVALUATION FOR RELEASE OF  
PROJECT.

SUBMITTED 6/07/11 RETURNED 00/00/11

**CASCADE ELECTRICAL**

MILLER O'HERN CONSTRUCTION has reviewed this submittal and  
believes it to be in substantial compliance with the contract documents.

By:  \_\_\_\_\_

Date: 6.14.2011

Miller O'Hern Construction . LLC 520-395-9479

16020.24

HD ELECTRICAL SUPPLY

Neg# H4650518F102 Alt# 0000

05/18/11

Job Name: RICHY FUEL STATION

09:31:26

Customer Bill of Material

Enclosed Control

Lighting, NEMA 3R - Rainproof, 20 Pole, 208V, 30A  
120V/60 110V/50 Coil  
Drawing Number: 84-28706

GLOBAL LIST OF MATERIALS

- 1 ECL03C2ACA-S3 - Lighting, Electrically Held
- 1 S3-HAND-OFF-AUTO Selector Switch

Designations:

1 Pow-R-Line1a

30 Circuits, 100A, Fully Rated, 208Y/120V 3Ph 4W, Copper Bus, 10k AIC, 100A, 3P FD Main Breaker[Top Fed], Surface Mounted

- 1 100A, 3P FD Main Breaker
- 10 20A, 1P BAB Branch Breaker
- 4 30A, 1P BAB Branch Breaker
- 15 1P BAB Branch Provision Only
- 1 15A, 1P BAB Branch Breaker
- 1 Copper Main Bus, 100 Amps
- 1 Std. Bolted Al Ground Bar (Al/Cu Cable)
- 1 Panel Nameplate - White with Black Letters
- 1 Type 1 Enclosure:EZB2042R
- 1 EZ Trim, Door in Door, Concealed Hardware:EZT2042S

Designations:

1 Safety Switches

DH322NRK,  
BE31A, 240 VAC, 60 Amps, 3-Pole, Fusible with Neutral, NEMA 3R Enclosure

- 1 Heavy Duty Switch - Fusible, 4-Wire, 240 VAC, 60 A, NEMA 3R (DH322NRK)
- 1 "R" Fuse Adapter Kit : DS16FK (Field Installed) (DS16FK)

Designations:

2 30mm Pilot Devices

Catalog Number: 10250T7019  
Assy DC Encl w/RdEmg Mt Push/Pull:1NO-1NC ClassI/Div 2

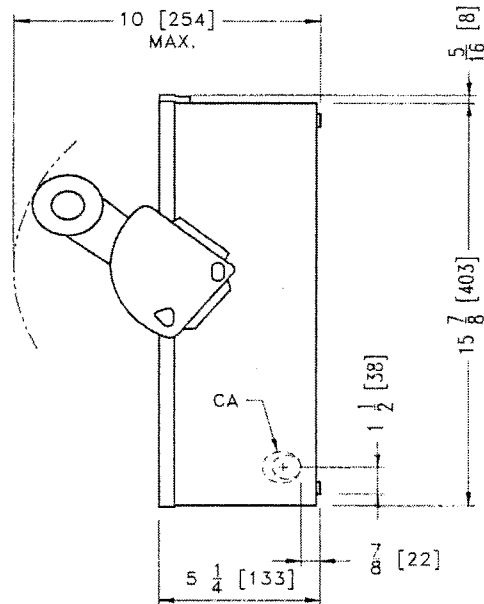
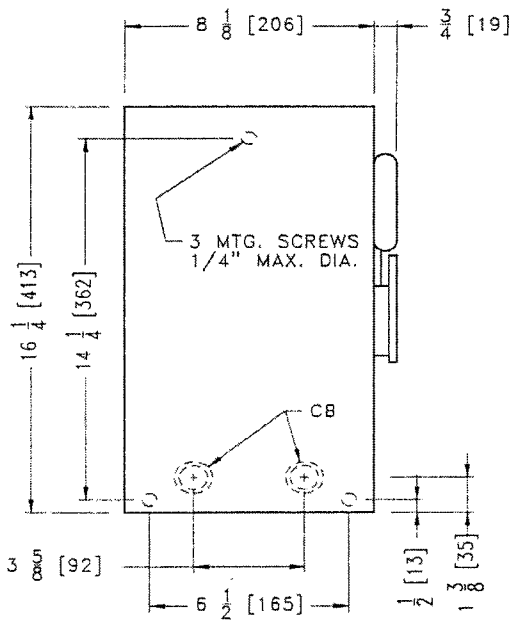
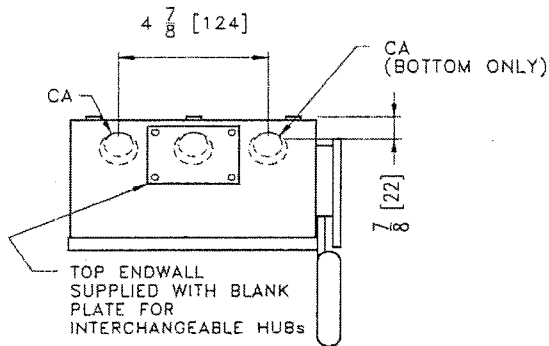
Designations:

16020.2.4

REFERENCE  
DWG NO 95-955-11

**NOTES:**

1. 30-60 AMPERES, 240 VOLTS HEAVY DUTY K-SERIES DESIGN.
2. 2 AND 3 POLE FUSIBLE AND NON-FUSIBLE SWITCHES.
3. NEMA 3R ENCLOSURE:  
0.052" ZINC COATED STEEL.
4. MEETS FEDERAL SPECIFICATIONS WS865C.
5. MEETS UL 98 FOR SWITCHES, UL 50 FOR ENCLOSURES.
6. MEETS NEC WIRE BENDING SPACE REQUIREMENTS.
7. MEETS NEMA STANDARDS KS1.
8. UL LISTED, FILE NO. 5239.
9. ANSI 61 LIGHT GRAY BAKED ENAMEL FINISH.
10. SIDE HINGED WITH DRIP SHIELD.
11. USE TYPE DS/CS GROUP 1 HUB.



| CONDUIT KNOCKOUT SIZES in [mm] |  |
|--------------------------------|--|
| CA                             | CB                                     |
| 3/4 [19], 1 [25], 1 1/4 [32]   | 1/2 [13], 3/4 [19], 1 [25], 1 1/4 [32] |

ALL KNOCKOUTS ARE CONCENTRIC UNLESS NOTED OTHERWISE

DIMENSIONS IN in(mm)  
4/98

The information on this document is created by Eaton Corporation. It is disclosed in confidence and it is only to be used for the purpose in which it is supplied.

|                                     |                  |                                |                                |
|-------------------------------------|------------------|--------------------------------|--------------------------------|
| PREPARED BY<br>WILLIAM.BALLANCE     | DATE<br>05/18/11 | <b>Eaton Corporation</b>       |                                |
| APPROVED BY                         | DATE             | JOB NAME<br>RICHY FUEL STATION | DESIGNATION                    |
| VERSION<br>7.5                      |                  | TYPE                           | DRAWING TYPE<br>Customer Appr. |
| NEG-ALT NUMBER<br>H4650518F102-0000 | REVISION         | DWG SIZE<br>A                  | G.O<br>ITEM<br>004             |
|                                     |                  |                                | SHEET<br>2 OF 2                |

**Safety Switch General Information**

**Global Specifications**

|                        |                           |
|------------------------|---------------------------|
| System Voltage         | 240 VAC                   |
| Switch Type            | Single Throw - Heavy Duty |
| Poles/Blades           | 3-Pole                    |
| Amperage               | 60                        |
| Protection             | Fusible with Neutral      |
| Enclosure Type         | NEMA 3R                   |
| Fuse Clips             | Standard                  |
| Switch Lugs            | Standard                  |
| Fungus Proof Treatment | N                         |
| Lock-On Provision      | N                         |
| Fuse Pullers           | N                         |
| Control Pole           | N                         |
| Ground Lugs            | N                         |
| 316 Stainless          | N                         |
| Stainless Mechanism    | N                         |
| Mill Duty              | N                         |

**Cover Controls**

**Nameplate**

**Field Installed Kits**

|   |   |
|---|---|
| "R" Fuse Adapter Kit : DS16FK (Field Installed) | 1 |
|---|---|

**Safety Switch Catalog No.**

DH322NRK

|  |                                 |                  |                                |                                |
|--|---------------------------------|------------------|--------------------------------|--------------------------------|
| The information on this document is created by Eaton Corporation. It is disclosed in confidence and it is only to be used for the purpose in which it is supplied. | PREPARED BY<br>WILLIAM.BALLANCE | DATE<br>05/18/11 | <b>Eaton Corporation</b>       |                                |
|  | APPROVED BY                     | DATE             | JOB NAME<br>RICHY FUEL STATION | DESIGNATION                    |
|  | VERSION<br>7.5                  |                  | TYPE                           | DRAWING TYPE<br>Customer Appr. |
| NEG-ALT NUMBER<br>H4650518F102-0000  | REVISION                        | DWG SIZE<br>A    | G.O.                           | ITEM<br>004                    |
|  |                                 |                  |                                | SHEET<br>1 OF 2                |

Main Breaker 100A  
FD3100, Vert Mtd.

|    |                    |                    |    |
|----|--------------------|--------------------|----|
| 1  | <del>BAB1030</del> | <del>BAB1030</del> | 20 |
| 3  | BAB1030            | BAB1030            | 4  |
| 5  | <del>BAB1020</del> | <del>BAB1020</del> | 30 |
| 7  | BAB1020            | BAB1020            | 8  |
| 9  | BAB1020            | BAB1020            | 30 |
| 11 | BAB1020            | BAB1020            | 30 |
| 13 | BAB1020            | <del>BAB1020</del> | 14 |
| 15 | <del>BAB1015</del> | PROV               | 16 |
| 17 | PROV               | PROV               | 18 |
| 19 | PROV               | PROV               | 20 |
| 21 | PROV               | PROV               | 22 |
| 23 | PROV               | PROV               | 24 |
| 25 | PROV               | PROV               | 26 |
| 27 | PROV               | PROV               | 28 |
| 29 | PROV               | PROV               | 30 |

Blank Cover  
4 inches

General Information

(Section 1 of 1)

Service Voltage: 208Y/120V 3Ph 4W Enclosure: Type 1  
 Bus Rating & Type: 100A Copper Neutral Rating: 100A  
 Ground Bar: Std. Bolted Aluminum, Al or Cu cable  
 S.C. Rating: 10k A.I.C. Fully Rated

Main Device Type: Main Breaker - Top Cable Entry  
 Main Terminals: Mechanical - (1) #14-1/0 (Cu/Al)  
 Neutral Terminals: Mechanical - (1) #14-1/0 (Cu/Al)  
 Box Catalog No.: EZB2042R  
 Trim: EZ Trim, Door in Door, Concealed Hardware (EZT2042S)

Surface Mounted

Box Dimensions: 42." [1066.8mm]H x 20" [508.0mm]W x 5.75" [146.0mm]D  
 Min. Gutter Size: Top = 5.5" [139.7mm] Bottom = 5.5" [139.7mm]  
 Left = 6.0" [152.4mm] Right = 6.0" [152.4mm]

Panel ID Nameplate: (1)  
 Type: Plastic, adhesive-backed (2) 208Y/120V 3Ph 4W  
 Color: White with Black Letters (3)

NEC Lighting & Appliance, UL CTL \*\*\*Non-Interchangeable Main Device\*\*\*

Copper Neutral  
 Trim Lock: Standard Lock & Key (Keyed WEM2)  
 Circuit Directory: Plastic Sleeve with Card  
 Main Circuit Breaker Trip Type: Thermal-Magnetic  
 Do not connect breakers with combined ampere ratings that exceed 140 amperes on any individual branch bus connector.

Device Modifications:

Ref # Description

Branch Devices

| Qty | Poles | Trip | Frame | Amps | KAIC |
|-----|-------|------|-------|------|------|
| 1   | 1     | 15   | BAB   | 100  | 10   |
| 10  | 1     | 20   | BAB   | 100  | 10   |
| 4   | 1     | 30   | BAB   | 100  | 10   |
| 15  | 1     |      | PROV  |      |      |

Notes:

The information on this document is created by Eaton Corporation. It is disclosed in confidence and it is only to be used for the purpose in which it is supplied.

PREPARED BY WILLIAM.BALLANCE DATE 05/18/11

Eaton Corporation

APPROVED BY DATE 05/18/11

JOB NAME RICHY FUEL STATION  
DESIGNATION

VERSION 7.5

TYPE PRL1a

DRAWING TYPE Customer Approval

NEG-ALT NUMBER H4650518F102-0000

REVISION

DWG SIZE A

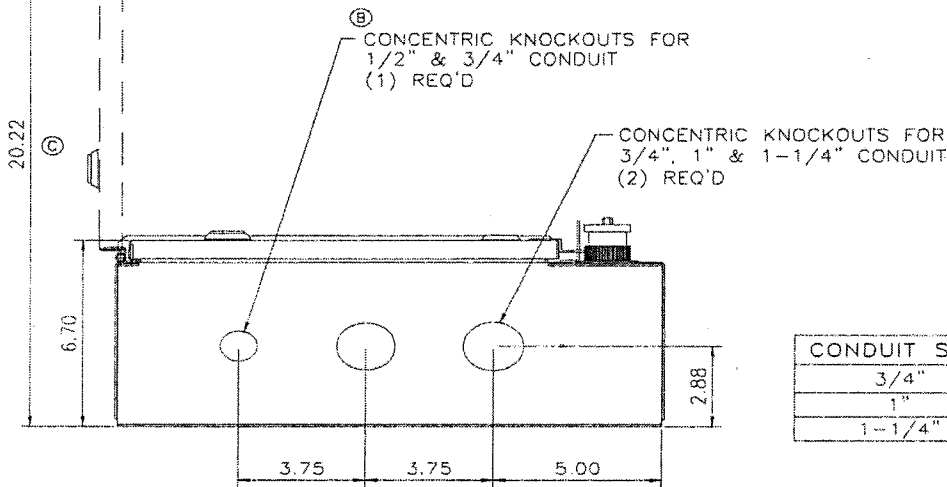
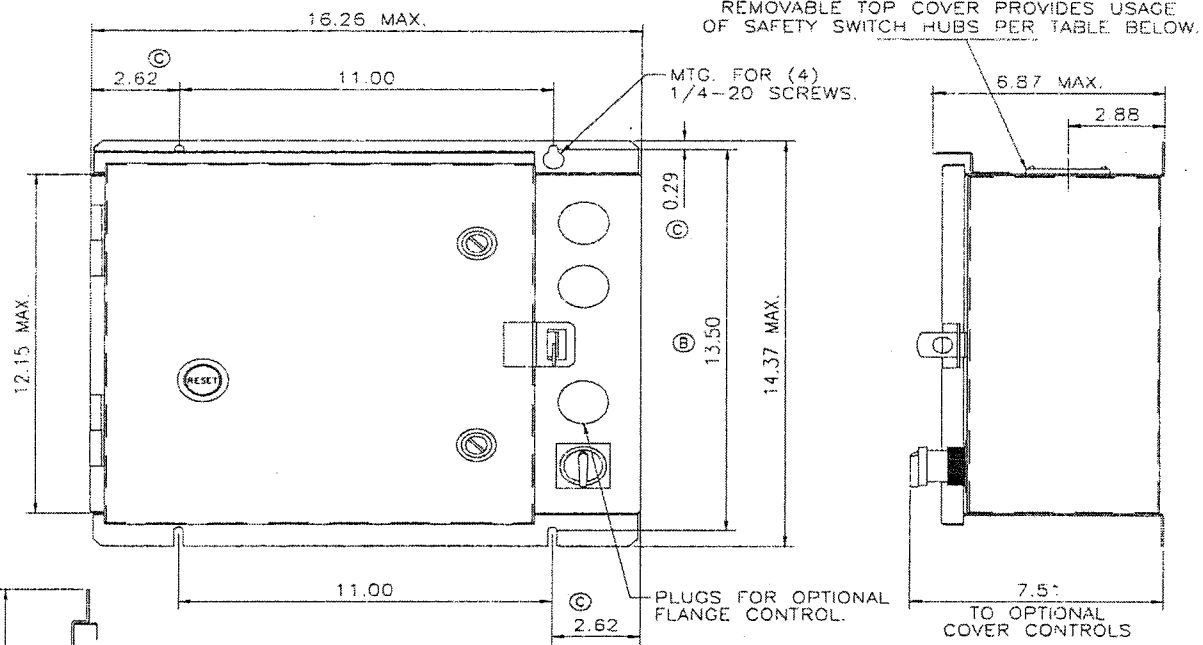
G.O.

ITEM 0031

SHEET 1 OF 1

16020.2.4

REFERENCE  
DRAWING NO. 84-28706  
REVISION: C



| CONDUIT SIZE | CAT.No. |
|--------------|---------|
| 3/4"         | DS075H1 |
| 1"           | DS100H1 |
| 1-1/4"       | DS125H1 |

DIMENSION DWG. FOR (NEMA 3R) (BOX 7)  
ENCLOSURE 16.25w X 12.01h X 6.59d

DIMENSIONS IN INCHES

|  |  |                         |                                       |                                       |                        |
|--|--|-------------------------|---------------------------------------|---------------------------------------|------------------------|
| The information on this document is created by Eaton Corporation. It is disclosed in confidence and it is only to be used for the purpose in which it is supplied. | PREPARED BY<br><b>WILLIAM.BALLANCE</b> | DATE<br><b>05/18/11</b> | <b>Eaton Corporation</b>              |                                       | Fayetteville, NC       |
|  | APPROVED BY                            | DATE                    | JOB NAME<br><b>RICHY FUEL STATION</b> | DESIGNATION                           |                        |
|  | VERSION<br><b>7.5</b>                  |                         | TYPE<br><b>ECL03C2ACA-S3</b>          | DRAWING TYPE<br><b>Customer Appr.</b> |                        |
| NEG-ALT NUMBER<br><b>H4650518F102-0000</b>   | REVISION                               | DWG SIZE<br><b>A</b>    | G.O.                                  | ITEM<br><b>001</b>                    | SHEET<br><b>1 OF 1</b> |

# RAVEN SMALL RCS SERIES

|                                 |      |           |
|---------------------------------|------|-----------|
| Cat # <b>RCS WA P10 H3 F DB</b> |      | Approvals |
| Job <b>100W MRS</b>             | Type |           |

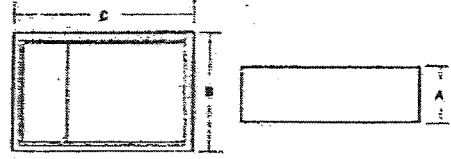
**SPAULDING  
LIGHTING**

**APPLICATIONS**

- Provides a superior lighting solution for a wide array of area/site lighting applications.

**FEATURES**

- Lightweight, rugged, one-piece formed and welded aluminum for smooth construction and weatherproofing. Pre-drilled for mounting. Decorative embossed band and reveal colors available.
- Extruded aluminum frame with rigid corner bracing and die-cast zinc latches for tool-free entry. Quality silicone gasketing seals out insects, dirt and moisture. Decorative silk screening conceals electrical compartment. Flat tempered and impact-resistant glass provide sharp, full cutoff.
- Hydroformed and performance series reflectors available. ES type II, III, IV, and V distributions. All distributions are field rotatable.
- Extruded arms along with multiple adapters provide mounting flexibility.
- Mogul porcelain socket, pulse rated, with spring-loaded, nickel-plated center contact and reinforced lamp grip, screw shield. Medium base for ED-17 lamp.
- Removable Powr-Panel™ available for maintenance and installation ease.
- 200W-400W CWA type HPF Ballast starting rating at -20°F (-30°F for HPS).
- 150W and below LAG type HPF Ballast starting rating at -20°F (-40°F for HPS).
- Durable Lektrocote® TGIC thermoset polyester powder-coat paint finish assures long life and maintenance-free service.



|     | A      | B      | C      | EPA                 | Weight  |
|-----|--------|--------|--------|---------------------|---------|
| RCS | 8.5"   | 16.25" | 23.5"  | 1.7 ft <sup>2</sup> | 42 lbs  |
|     | 203 mm | 413 mm | 591 mm | 0.2 m <sup>2</sup>  | 19.1 kg |

NOTE: EPA and weight values do not include mounting arm.  
Four inch arm adds 0.2 ft<sup>2</sup> EPA. Two inch arm adds 0.4 ft<sup>2</sup> EPA.

**LISTINGS/CERTIFICATIONS**

- UL 1598 listed and CSA certified for outdoor use in wet locations.
- IDA fixture seal of approval.



**ORDERING INFORMATION**

**ORDERING EXAMPLE**

**RCS - A4 - P40 - H3 - F - Q - DB - L**

Series      Mount      Wattage/Source      Lamp Orientation/Distribution      Lens      Voltage      Color      Options

**SERIES**

RCS Raven Small (100-400W)

**MOUNT**

- A4 Arm Mount (includes 4" rigid arm)
- A18 Arm Mount (includes 18" rigid arm)
- WB Wall Bracket (arm not required or included)
- WB44 Wall Bracket with 4" rigid arm
- WB10 Wall Bracket with 10" rigid arm
- 0 No arm or wall bracket necessary

**WATTAGE/SOURCE**

- PULSE START METAL HALIDE**
- P10 100 watt (ED-17)
  - P12 125 watt (ED-17)
  - P15 150 watt (ED-28)
  - P20 200 watt (ED-28)
  - P25 250 watt (ED-28)
  - P32 320 watt (ED-28)
  - P36 350 watt (ED-28)
  - P40 400 watt (ED-28)

**SOURCE/WATTAGE <sup>CLASS</sup>**

- HIGH PRESSURE SODIUM**
- S10 100 watt (ED-23 1/2)
  - S15 150 watt (ED-23 1/2)
  - S25 250 watt (ED-18)
  - S40 400 watt (ED-18)

**LAMP ORIENTATION/DISTRIBUTION**

- H2 Horizontal II
- H2P Horizontal II Performance Series (patented multi-faceted hydroformed)
- H3 Horizontal III (hydroformed)
- H3P Horizontal III Performance Series (patented multi-faceted hydroformed)
- H4 Horizontal IV (multi-piece)
- H5 Horizontal V (hydroformed)
- H5P Horizontal V Performance Series

**LENS**

F Flat

**VOLTAGE**

- Q Quad-Tap 120/208/240/277V
- S 480V
- T Tri-Tap 120/277/347V<sup>3</sup>
- E 50Hz 220/240V (250, 400 & 1000W MH, SMH & HPS only)
- V Five-Tap - 120/208/240/277/480V (250 & 400W MH, SMH & HPS only)
- 0 No Ballast

**COLOR**

- DB Dark Bronze
- BL Black
- WH White
- GR Gray
- PS Platinum Silver
- RD Red (premium color)
- FG Forest Green (premium color)
- CC Custom Color (consult factory) (RAL if preferred)

**OPTIONS**

- W1 120W Wiring Prep
- W2 208V Wiring Prep
- W3 240V Wiring Prep
- W4 277V Wiring Prep
- W5 480V Wiring Prep
- W6 347V Wiring Prep
- RPA2 Round Pole Adapter (2 1/4" - 3 1/2")
- RPA3 Round Pole Adapter (3 1/4" - 3 3/4")
- RPA4 Round Pole Adapter (3 7/8" - 4 1/2")
- RPA5 Round Pole Adapter (5")
- RPA6 Round Pole Adapter (6")
- F00 Fusing (replace X with voltage: 1-120, 2-208, 3-240, 4-277, 5-480, 6-347)
- P(X) Photo Button (replace X with voltage: 1-120, 2-208, 3-240, 4-277, 5-480, 6-347)
- PR(X) Photo Cell Receptacle (replace X with voltage: 1-120, 2-208, 3-240, 4-277, 5-480, 6-347)
- PP Power Panel (RCS Only)
- QZ Quartz Restrike with 150W DC layover lamp
- HS Internal House Side Shield (all except Type V distributions)
- VC Polycarbonate Vandal Guard
- R(X) Reveal (replace XX with color designation) EB option must be chosen with reveal option
- EB Embossed Band
- L Lamp

1. Factory wired for highest voltage unless specified.  
2. Required for 90° configurations.  
3. FUMER, direct mount hardware kit required.  
NOTE: All poles to be drilled with #2 pattern.

**ORDERING INFORMATION**

**ACCESSORIES - RCS**

(Must be ordered separately. For field installation.)

| Catalog Number | Description   |
|----------------|---|
| RCS-HS-23      | Internal Lamp Shielding (RCS - H2 & H3 distributions)         |
| RCS-HS-23P     | Internal Lamp Shielding (RCS - H2P & H3P distributions)       |
| RCS-HS-4       | Internal Lamp Shielding (RCS - H4 distribution)               |
| RCS-PVG        | 1/4" Polycarbonate Vandal Guard suspended 3" below door frame |

**PHOTOCONTROL EQUIPMENT**

| Catalog Number | Description                                |
|----------------|--|
| PTL-1          | Photocontrol - Twist-Lock® Cell (120V)     |
| PTL-8          | Photocontrol - Twist-Lock® Cell (120-277V) |
| PTL-5          | Photocontrol - Twist-Lock® Cell (480V)     |
| PTL-6          | Photocontrol - Twist-Lock® Cell (347V)     |
| PSC            | Shorting Cap - Twist-Lock®                 |

**ADDITIONAL ACCESSORIES**

| Catalog #                    | Description  |
|------------------------------|--|
| F-RPA2-XX <sup>2</sup>       | Round Pole Adapter (2 3/4" - 3 3/4")                   |
| F-RPA3-XX <sup>2</sup>       | Round Pole Adapter (3 1/4" - 3 3/4")                   |
| F-RPA4-XX <sup>2</sup>       | Round Pole Adapter (3 3/4" - 4 1/2")                   |
| F-RPA5-XX <sup>2</sup>       | Round Pole Adapter (5")                                |
| F-RPA6-XX <sup>2</sup>       | Round Pole Adapter (6")                                |
| WB-CB-XX <sup>1</sup>        | Wall Bracket   |
| ARM-F-K-TA-XX <sup>1</sup>   | Tenon Arm (single adjustable) (2 1/4" O.D. tenon)      |
| ARM-F-TK-TA-XX <sup>1</sup>  | Tenon Arm (double 180°) adjustable (2 3/4" O.D. tenon) |
| ARM-F-K-S-XX <sup>2,3</sup>  | Adjustable Arm   |
| ARM-F-4-S-XX <sup>2,3</sup>  | 4" Rigid Straight Arm                                  |
| ARM-F-10-S-XX <sup>2,3</sup> | 10" Rigid Straight Arm                                 |
| F-DBL-H                      | Direct mount hardware kit                              |
| TPLB-XX                      | Twin parallel luminaire bracket                        |

1 Replace XX with color choice, e.g., BK for Dark Bronze.  
2 When ordering poles, specify Pole Ball Pattern #2.

**TENON TOP POLE BRACKET ACCESSORIES (2 3/4" OD tenon)**  
(ISS version requires 4" round pole adapter)

| Catalog #            | Description   |
|----------------------|---|
| SETA-XX <sup>2</sup> | Square Pole Tenon Adapter (4 at 90 degrees)           |
| RETA-XX <sup>2</sup> | Round Pole Tenon Adapter - 4" (4 at 90 degrees)       |
| TEIA-XX <sup>2</sup> | Triangular Pole Tenon Adapter - 4" (3 at 120 degrees) |

1 Replace XX with color choice, e.g., BK for Dark Bronze.  
2 Accessories #2 still require:

**SPECIFICATIONS**

**HOUSING** Die formed, rectilinear housing to have continuous corner welds creating a seamless one-piece enclosure. Housing material to be heavy gauge low copper aluminum alloy. Door assembly to recess completely within luminaire housing creating evenly spaced reveal and floating door appearance. Housing to provide positive seal with door assembly gasket.

**DOOR/LENS** Extruded aluminum door/frame to have 45° miter cut corners with internal corner key brackets for rigid support. Finish to be anodized with natural aluminum color. Tool-free entry design provided from corrosion resistant, spring loaded die cast zinc thumb latches (one per corner). Door assembly to hinge forward (toward pole) and backward (away from pole) and must remain captive to the luminaire housing when only two latches are released. Complete removal of door is achievable without tools. Extruded silicone gasket profile to positively seal tempered glass lens to door/frame and door/frame to luminaire housing ensuring a contaminant free environment. Tempered flat glass lens to include internal coating of temperature resistant black silk-screening to hide electrical compartment.

**MOUNT** The luminaire housing shall attach to all mounting hardware via two 1/2" diameter bolts/rods. Mounting options to include rigid arm assemblies, knuckled arm assemblies for flat surfaces, knuckled arm assemblies for 2 3/8" OD tenon, wall bracket

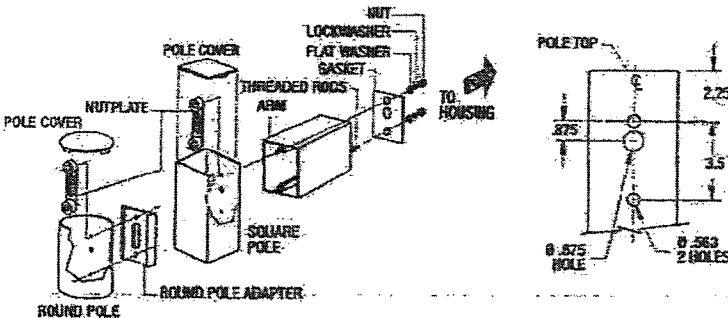
adapter, and round pole adapters ensuring maximum luminaire versatility. All mounting accessories should include gasket between the housing and accessory.

**OPTICS** Multiple levels of photometric performance to be achieved via tornd optic offering ranging from fully sagrimented to hydroformed reflectors. All optical assemblies to field rotate in 90° increments. All distributions to be IES - Full Cutoff classified. Internal house side shielding to be available on Type II, III, and IV distributions and should be factory or field installable.

**ELECTRICAL** Available HID wattage range of 100 to 400 watts from Pulse Start Metal Halide and High Pressure Sodium sources. Optional removable Power-Pak® to contain quick connects on both ballast and socket leads. Additional options include fusing, photocell cell control, and quartz restrike lamp.

**FINISH** TGIC thermoset polyester powder paint finish applied at nominal 2.5 mil thickness. Prior to painting all luminaires and mounting accessories should be thoroughly cleaned with acid and alkaline cleaners followed by the application of a chromate conversion coating.

**LISTINGS/CERTIFICATION** UL1598 listed and CSA certified for outdoor use in wet locations



Due to our continued efforts to improve our products, product specifications are subject to change without notice.



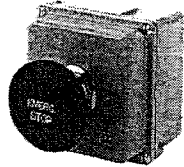
Spaulding Lighting • 701 Millennium Drive • Greenville, SC 29607 • PHONE: 864-678-1000

For more information visit our web site: [www.spauldinglighting.com](http://www.spauldinglighting.com)

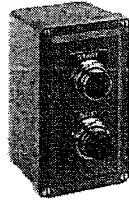
**Class I Division 2 10250T Heavy-Duty 30.5 mm Control Stations**

**Product Description**

- 10250T Series operators
- Factory sealed contact blocks
- Die-cast, polyester or stainless steel enclosures
- Approved for NEC Class I Division 2, Groups B, C and D or Class I Zone 2 Group IIB plus Hydrogen type hazardous locations



*Die Cast Enclosure with One Pushbutton — Aluminum Jumbo Mushroom Red-Engraved EMER. STOP  
Catalog Number 10250T7007*



*Polyester Enclosure with Two Pushbuttons — Flush Green and Extended Red  
Catalog Number 10250T7023P*



*Stainless Steel Enclosure with One Red Pilot and Two Pushbuttons — Flush Green and Extended Red  
Catalog Number 10250T7033S*

**Table 47-23. Product Selection — Complete 10250T Assembled Stations — UL (NEMA) Type 4, 4X, 12, 13; NEC Class I Division 2, Groups B, C and D**

| Operator                                  | Contact Symbol | Button Type/Color                  | Legend Marking               | Die Cast Enclosure                         |                            | Polyester Molded Enclosure |               | Stainless Steel Enclosure |               |
|---|----------------|------------------------------------|------------------------------|--|----------------------------|----------------------------|---------------|---------------------------|---------------|
|   |                |                                    |                              | Catalog Number                             | Price U.S. \$              | Catalog Number             | Price U.S. \$ | Catalog Number            | Price U.S. \$ |
| One Pushbutton                            |                | Flush/Green                        | START                        | 10250T7003                                 |                            | 10250T7003P                |               | 10250T7003S               |               |
|   |                | Extended/Red                       | STOP                         | 10250T7005                                 |                            | 10250T7005P                |               | 10250T7005S               |               |
|   |                | Alum. Jumbo Mushroom/Red           | EMER. STOP (Engraved Button) | 10250T7007                                 |                            | 10250T7007P                |               | 10250T7007S               |               |
|   |                | Flush/Black                        | No Legend                    | 10250T7009                                 |                            | 10250T7009P                |               | 10250T7009S               |               |
| Two Pushbuttons                           |                | Flush/Green<br>Extended/Red        | START<br>STOP                | 10250T7023                                 |                            | 10250T7023P                |               | 10250T7023S               |               |
|   |                | Flush/Black<br>Flush/Black         | No Legend<br>No Legend       | 10250T7025                                 |                            | 10250T7025P                |               | 10250T7025S               |               |
|   |                | One Pilot Light<br>Two Pushbuttons |                              | 120V AC Red<br>Flush/Green<br>Extended/Red | No Legend<br>START<br>STOP | 10250T7033                 |               | 10250T7033P               |               |
| 120V AC Red<br>Flush/Black<br>Flush/Black | No Legend      | 10250T7035                         |                              |  | 10250T7035P                |                            | 10250T7035S   |                           |               |
| 3-Position Selector Switch                |                | Maintained Knob/Black              | HAND/OFF/AUTO                | 10250T7011                                 |                            | 10250T7011P                |               | 10250T7011S               |               |
|   |                | Maintained Knob/Black              | No Legend                    | 10250T7013                                 |                            | 10250T7013P                |               | 10250T7013S               |               |
| One Pushbutton Maintained                 |                | Push-Pull w/Jumbo Mushroom/Red     | EMER. STOP (Engraved Button) | 10250T7019                                 |                            | 10250T7019P                |               | 10250T7019S               |               |

Custom Stations . . . . . Pages 47-24 — 47-25  
 Enclosure Dimensions . . . . . Page 47-23  
 Operator Dimensions . . . . . Pages 47-160 — 47-162  
 Discount Symbol . . . . . 1CD1C

# Pin & Sleeve Devices North American Splashproof Devices Ordering Information

16113-1.3E

**legrand**  
Pass & Seymour

IEC Pin & Sleeve Splashproof Devices

## North American Product Offering

| UL  SP  IP44 Suitability |               |            |                      | Splashproof |           |           |           | Back Boxes |           | Non-Metallic Back Box |
|--------------------------|---------------|------------|----------------------|-------------|-----------|-----------|-----------|------------|-----------|-----------------------|
| Poles & Wires            | Configuration |            | Voltage/Color Coding |             |           |           |           |            |           |                       |
|                          | Recep./Conn.  | Plug/Inlet |                      | Receptacle  | Plug      | Connector | Inlet     | Receptacle | Inlet     | Receptacle            |
| <b>20 Amps</b>           |               |            |                      |             |           |           |           |            |           |                       |
| 2P3W                     |               |            | 125                  | PS320R4S    | PS320P4S  | PS320C4S  |           | PSBB201W   | PSBB201SP | PSBBN201W             |
| 2P3W                     |               |            | 250                  | PS320R6S    | PS320P6S  | PS320C6S  | PS320B6S  | PSBB201W   | PSBB201SP | PSBBN201W             |
| 2P3W                     |               |            | 277                  | PS320R5S    | PS320P5S  |           |           | PSBB201W   | PSBB201SP | PSBBN201W             |
| 3P4W                     |               |            | 125/250              | PS420R12S   | PS420P12S | PS420C12S |           | PSBB202W   | PSBB201SP | PSBBN202W             |
| 3P4W                     |               |            | 3ø 250               | PS420R9S    | PS420P9S  | PS420C9S  | PS420B9S  | PSBB202W   | PSBB201SP | PSBBN202W             |
| 3P4W                     |               |            | 3ø 480               | PS420R7S    | PS420P7S  | PS420C7S  | PS420B7S  | PSBB202W   | PSBB201SP | PSBBN202W             |
| 3P4W                     |               |            | 3ø 600               | PS420R5S    |           |           | PS420B5S  | PSBB202W   | PSBB201SP | PSBBN202W             |
| 4P5W                     |               |            | 3øY 120/208          | PS520R9S    |           | PS520C9S  | PS520B9S  | PSBB202W   | PSBB201SP | PSBBN202W             |
| 4P5W                     |               |            | 3øY 277/480          |             |           | PS520C7S  | PS520B7S  | PSBB202W   | PSBB201SP | PSBBN202W             |
| 4P5W                     |               |            | 3øY 347/600          | PS520R5S    |           | PS520C5S  | PS520B5S  | PSBB202W   | PSBB201SP | PSBBN202W             |
| <b>30 Amps</b>           |               |            |                      |             |           |           |           |            |           |                       |
| 2P3W                     |               |            | 125                  | PS330R4S    | PS330P4S  | PS330C4S  | PS330B4S  | PSBB301W   | PSBB301SP | PSBBN301W             |
| 2P3W                     |               |            | 250                  | PS330R6S    | PS330P6S  | PS330C6S  | PS330B6S  | PSBB301W   | PSBB301SP | PSBBN301W             |
| 2P3W                     |               |            | 480                  |             | PS330P7S  | PS330C7S  | PS330B7S  | PSBB301W   | PSBB301SP | PSBBN301W             |
| 3P4W                     |               |            | 125/250              | PS430R12S   |           | PS430C12S | PS430B12S | PSBB301W   | PSBB301SP | PSBBN301W             |
| 3P4W                     |               |            | 3ø 250               | PS430R9S    | PS430P9S  | PS430C9S  | PS430B9S  | PSBB301W   | PSBB301SP | PSBBN301W             |
| 3P4W                     |               |            | 3ø 480               | PS430R7S    | PS430P7S  | PS430C7S  | PS430B7S  | PSBB301W   | PSBB301SP | PSBBN301W             |
| 3P4W                     |               |            | 3ø 600               | PS430R5S    | PS430P5S  | PS430C5S  | PS430B5S  | PSBB301W   | PSBB301SP | PSBBN301W             |
| 4P5W                     |               |            | 3øY 120/208          | PS530R9S    | PS530P9S  | PS530C9S  | PS530B9S  | PSBB301W   | PSBB301SP | PSBBN301W             |
| 4P5W                     |               |            | 3øY 277/480          |             | PS530P7S  |           | PS530B7S  | PSBB301W   | PSBB301SP | PSBBN301W             |
| 4P5W                     |               |            | 3øY 347/600          | PS530R5S    | PS530P5S  | PS530C5S  | PS530B5S  | PSBB301W   | PSBB301SP | PSBBN301W             |
| <b>60 Amps</b>           |               |            |                      |             |           |           |           |            |           |                       |
| 2P3W                     |               |            | 250                  | PS360R6S    | PS360P6S  | PS360C6S  | PS360B6S  | PSBB601W   | PSBB601W  | PSBBN601W             |
| 2P3W                     |               |            | 480                  | PS360R7S    | PS360P7S  | PS360C7S  | PS360B7S  | PSBB601W   | PSBB601W  | PSBBN601W             |
| 3P4W                     |               |            | 125/250              | PS460R12S   | PS460P12S | PS460C12S | PS460B12S | PSBB601W   | PSBB601W  | PSBBN601W             |
| 3P4W                     |               |            | 3ø 250               | PS460R9S    | PS460P9S  | PS460C9S  | PS460B9S  | PSBB601W   | PSBB601W  | PSBBN601W             |
| 3P4W                     |               |            | 3ø 480               | PS460R7S    | PS460P7S  | PS460C7S  | PS460B7S  | PSBB601W   | PSBB601W  | PSBBN601W             |
| 3P4W                     |               |            | 3ø 600               | PS460R5S    | PS460P5S  | PS460C5S  | PS460B5S  | PSBB601W   | PSBB601W  | PSBBN601W             |
| 4P5W                     |               |            | 3øY 120/208          | PS560R9S    | PS560P9S  | PS560C9S  | PS560B9S  | PSBB601W   | PSBB601W  | PSBBN601W             |
| W                        |               |            | 3øY 277/480          | PS560R7S    | PS560P7S  | PS560C7S  | PS560B7S  | PSBB601W   | PSBB601W  | PSBBN601W             |
| 3W                       |               |            | 3øY 347/600          | PS560R5S    | PS560P5S  | PS560C5S  | PS560B5S  | PSBB601W   | PSBB601W  | PSBBN601W             |

\* Line art for 60 amp only. 20 and 30 amp inlets are angled.  
 \*\* Line art for 20 and 30 amp only. 60 amp back box is angled.

Ordering Information